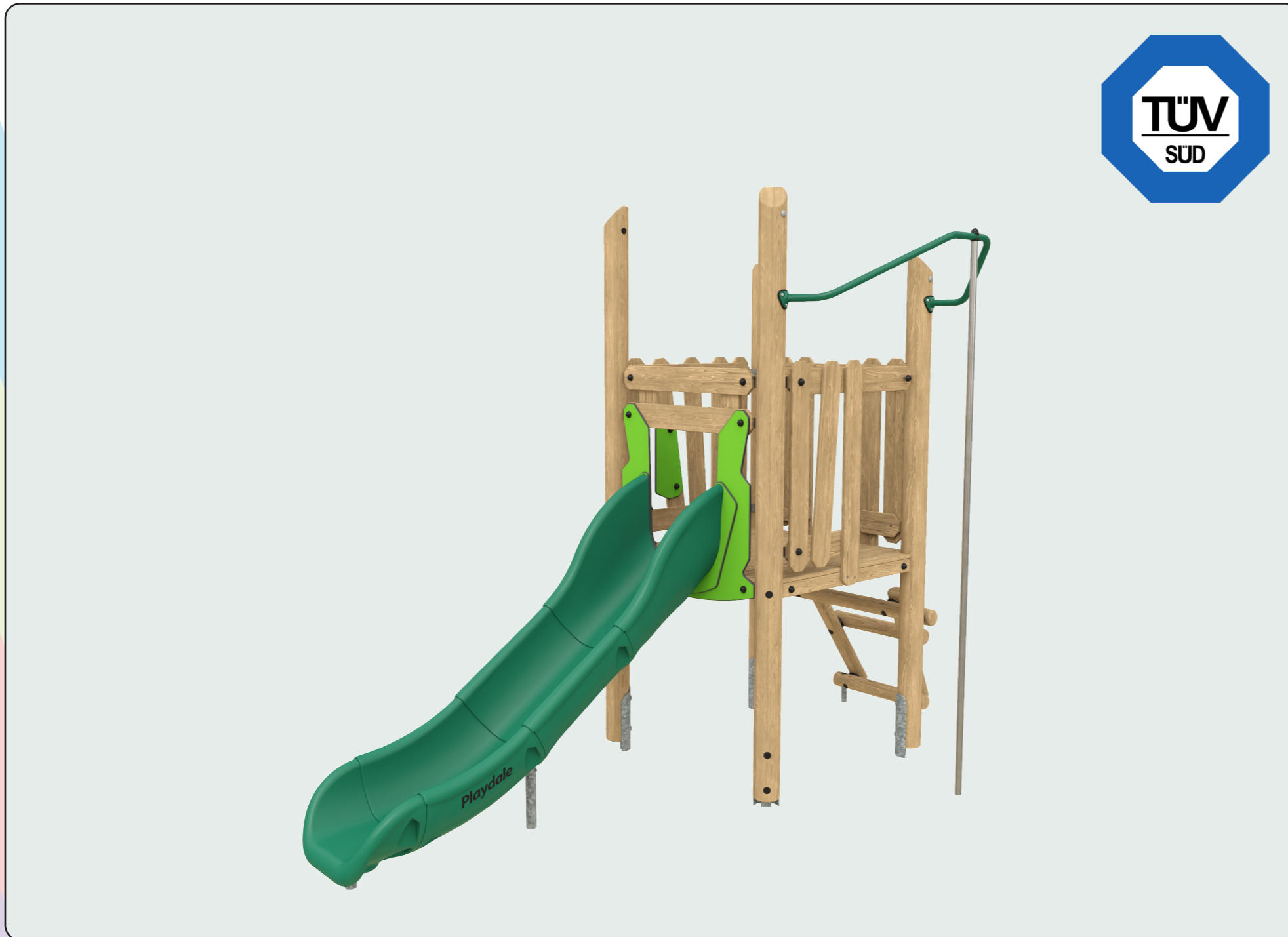


# Woodland Eco Tower - Coppice (Plastic Slide)

WD/COP



## Play Value



## Materials & Guarantees

Timber Poles (Out of Ground) - 20 Years
Steel Ground Fixings - 20 Years
Structural Stainless Steel - 25 Years
Sawn Timber - 15 Years
Colour Coated Steelwork - 5 Years
Compact Grade Laminet - 5 Years
Plastic Slides - 5 Years
Bolts - 10 Years
Plastic Components - 5 Years

Maximise fun in minimal space incorporating essential climbing and sliding features for endless enjoyment.

# WOODLAND ECO TOWERS

**Playdale™**  
Playgrounds

## Fixing Options



## Roof Options



## Equipment Dimensions

Length / Width / Height	3.7m x 1.8m x 2.9m
-------------------------	--------------------

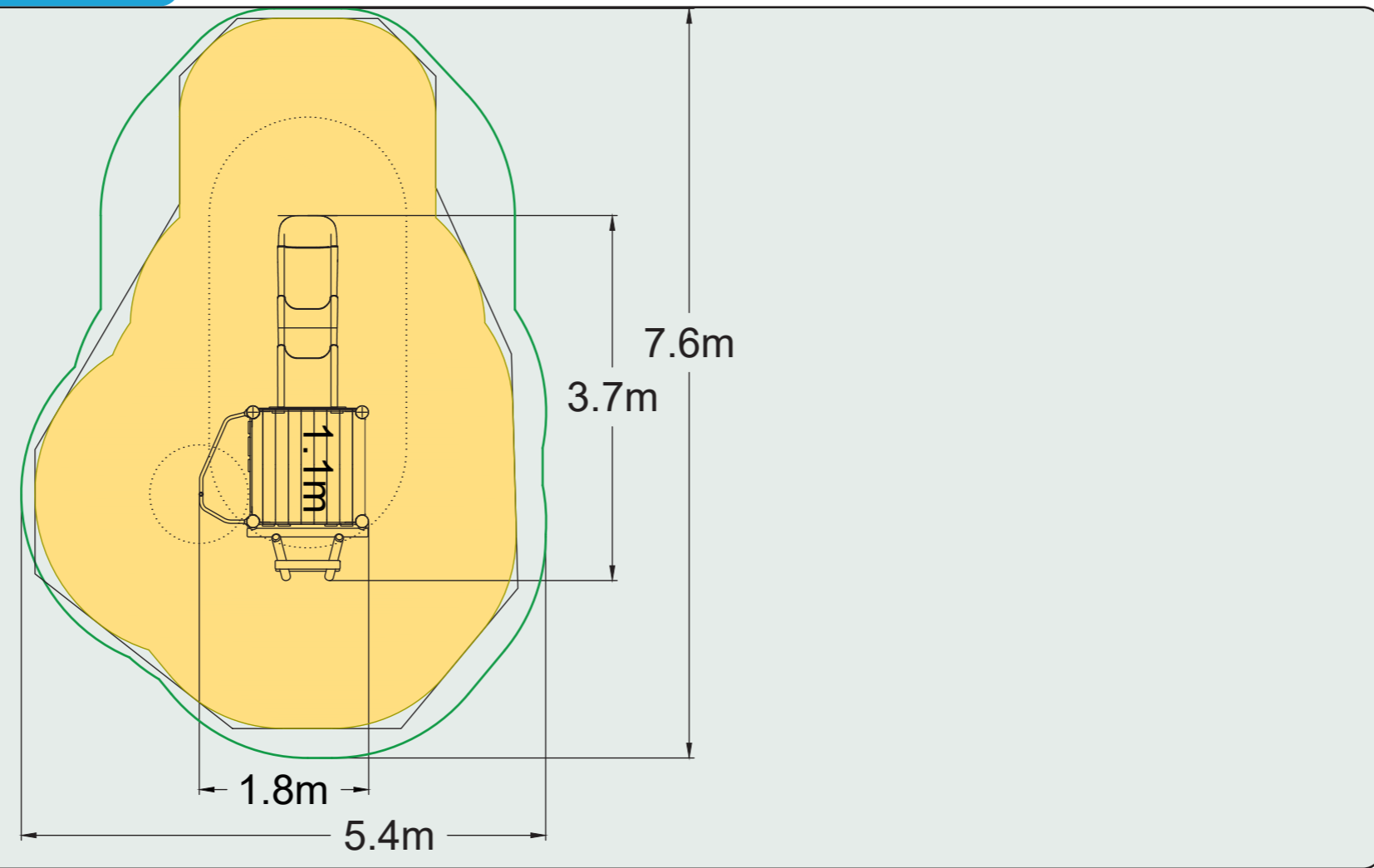
## Surfacing and Area Required

Recommended Minimum Space	7.6m x 5.4m x 4.1m
Max Gradient of Ground	1 in 50
Free Height of Fall	1.1m
Synthetic Surfacing Area	26m <sup>2</sup>
Loosefill @ 250mm Depth	8m <sup>3</sup>
Grasslok (1m x 1m Tiles)	37m <sup>2</sup>

## Installation Information

Installation Time	2 Persons 11 Hours
Overall Weight	246kg
Heaviest Part	32kg
Largest Part	2.5m x 0.7m x 0.6m
Longest Part	2.9m
Concrete Required	0.5m <sup>3</sup>

## Plan View



**EN1176  
Impact Area**

**Recommended  
Minimum Space**

**Free  
Space**

**Synthetic  
Surfacing**

## Side Elevation

